

Figure 1.1: Proposed Toilets for Type 1

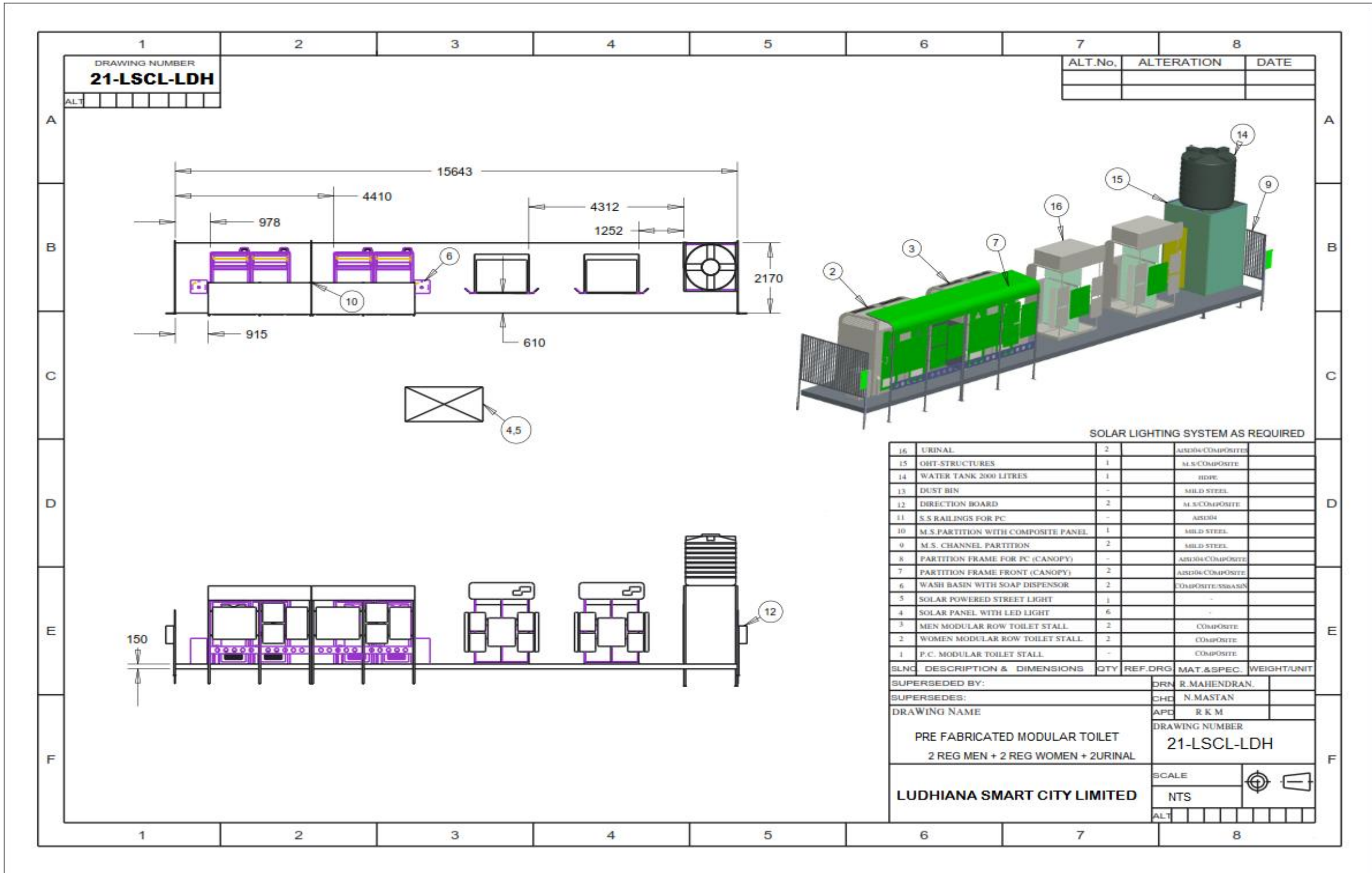
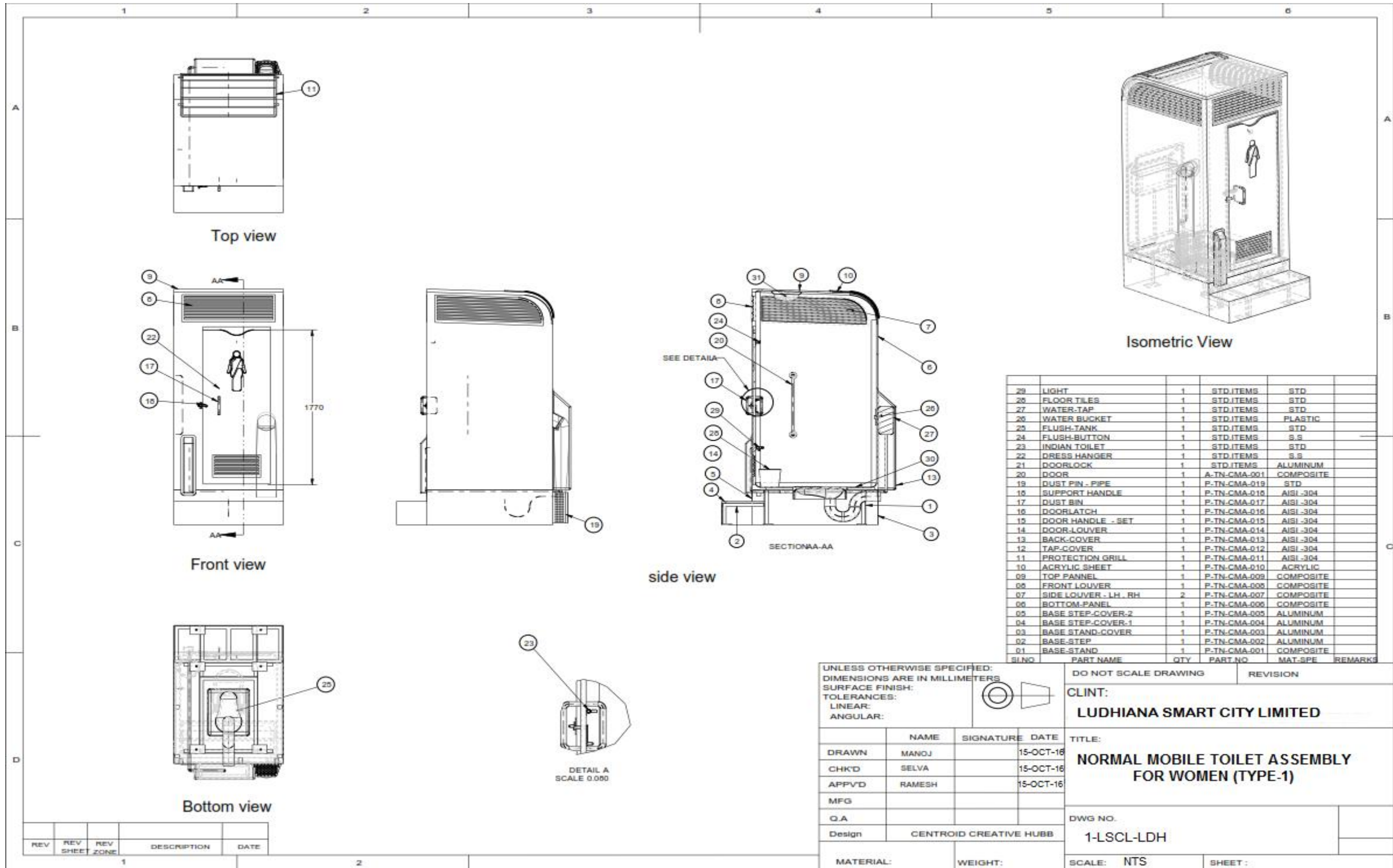


Figure 1.2: Proposed Toilets for Type 2



S/NO	PART NAME	QTY	PART NO	MAT-SPE	REMARKS
29	LIGHT	1	STD.ITEMS	STD	
28	FLOOR TILES	1	STD.ITEMS	STD	
27	WATER-TAP	1	STD.ITEMS	STD	
26	WATER BUCKET	1	STD.ITEMS	PLASTIC	
25	FLUSH-TANK	1	STD.ITEMS	STD	
24	FLUSH-BUTTON	1	STD.ITEMS	S.S	
23	INDIAN TOILET	1	STD.ITEMS	STD	
22	DRESS HANGER	1	STD.ITEMS	S.S	
21	DOORLOCK	1	STD.ITEMS	ALUMINIUM	
20	DOOR	1	A-TN-CMA-001	COMPOSITE	
19	DUST PIN - PIPE	1	P-TN-CMA-019	STD	
18	SUPPORT HANDLE	1	P-TN-CMA-018	AISI-304	
17	DUST BIN	1	P-TN-CMA-017	AISI-304	
16	DOORLATCH	1	P-TN-CMA-016	AISI-304	
15	DOOR HANDLE - SET	1	P-TN-CMA-015	AISI-304	
14	DOOR LOUVER	1	P-TN-CMA-014	AISI-304	
13	BACK-COVER	1	P-TN-CMA-013	AISI-304	
12	TAP-COVER	1	P-TN-CMA-012	AISI-304	
11	PROTECTION GRILL	1	P-TN-CMA-011	AISI-304	
10	ACRYLIC SHEET	1	P-TN-CMA-010	ACRYLIC	
09	TOP PANNEL	1	P-TN-CMA-009	COMPOSITE	
08	FRONT LOUVER	1	P-TN-CMA-008	COMPOSITE	
07	SIDE LOUVER - LH, RH	2	P-TN-CMA-007	COMPOSITE	
06	BOTTOM-PANEL	1	P-TN-CMA-006	COMPOSITE	
05	BASE STEP-COVER-2	1	P-TN-CMA-005	ALUMINIUM	
04	BASE STEP-COVER-1	1	P-TN-CMA-004	ALUMINIUM	
03	BASE STAND-COVER	1	P-TN-CMA-003	ALUMINIUM	
02	BASE-STEP	1	P-TN-CMA-002	ALUMINIUM	
01	BASE-STAND	1	P-TN-CMA-001	COMPOSITE	

UNLESS OTHERWISE SPECIFIED:
 DIMENSIONS ARE IN MILLIMETERS
 SURFACE FINISH:
 TOLERANCES:
 LINEAR:
 ANGULAR:

DO NOT SCALE DRAWING

CLINT:
LUDHIANA SMART CITY LIMITED

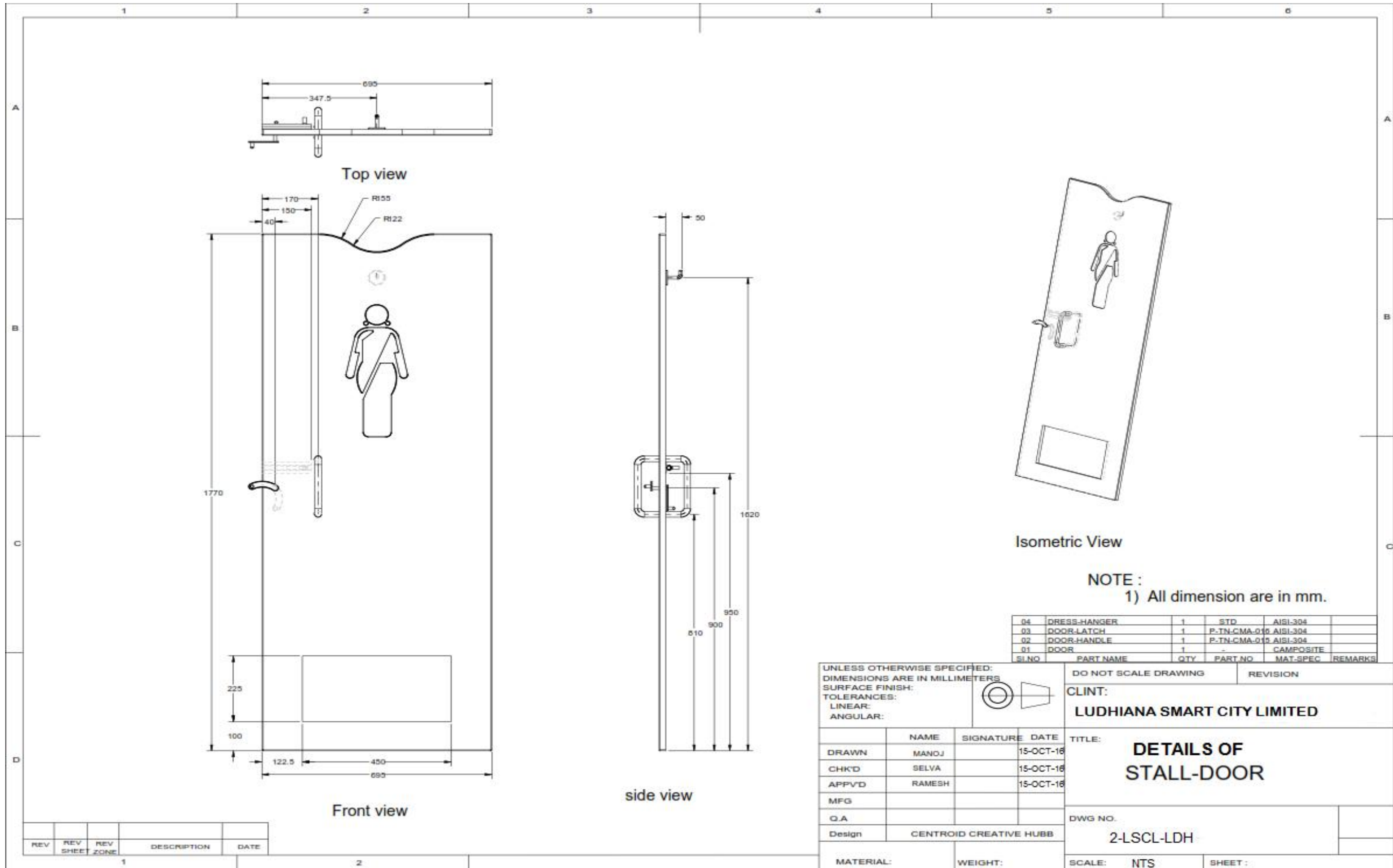
NAME	SIGNATURE	DATE
DRAWN	MANOJ	15-OCT-16
CHKD	SELVA	15-OCT-16
APPVD	RAMESH	15-OCT-16
MFG		
Q.A		
Design	CENTROID CREATIVE HUBB	

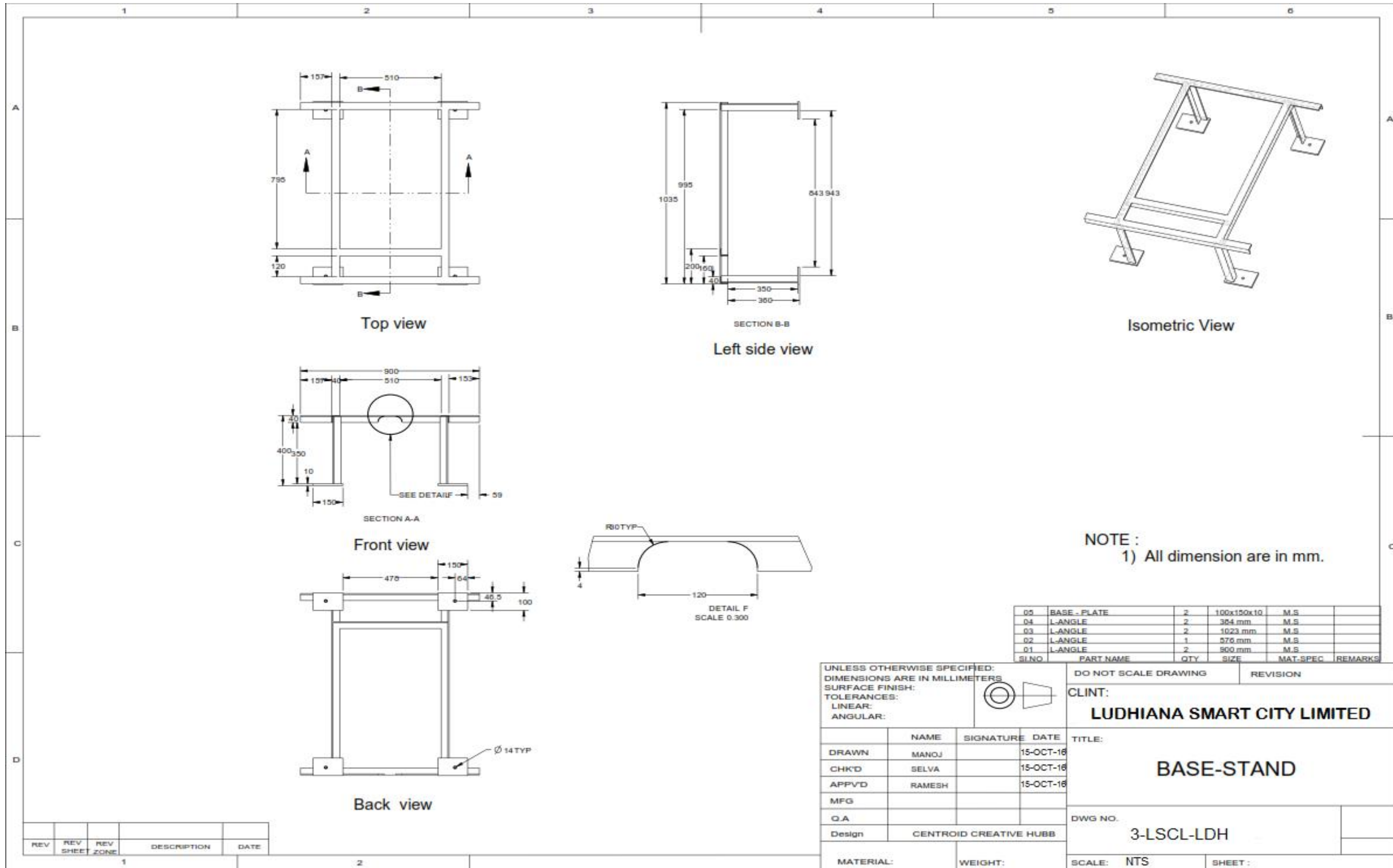
TITLE:
NORMAL MOBILE TOILET ASSEMBLY FOR WOMEN (TYPE-1)

DWG NO.
1-LSCL-LDH

MATERIAL: WEIGHT: SCALE: NTS SHEET :

REV	REV SHEET	REV ZONE	DESCRIPTION	DATE
1				





NOTE :
1) All dimension are in mm.

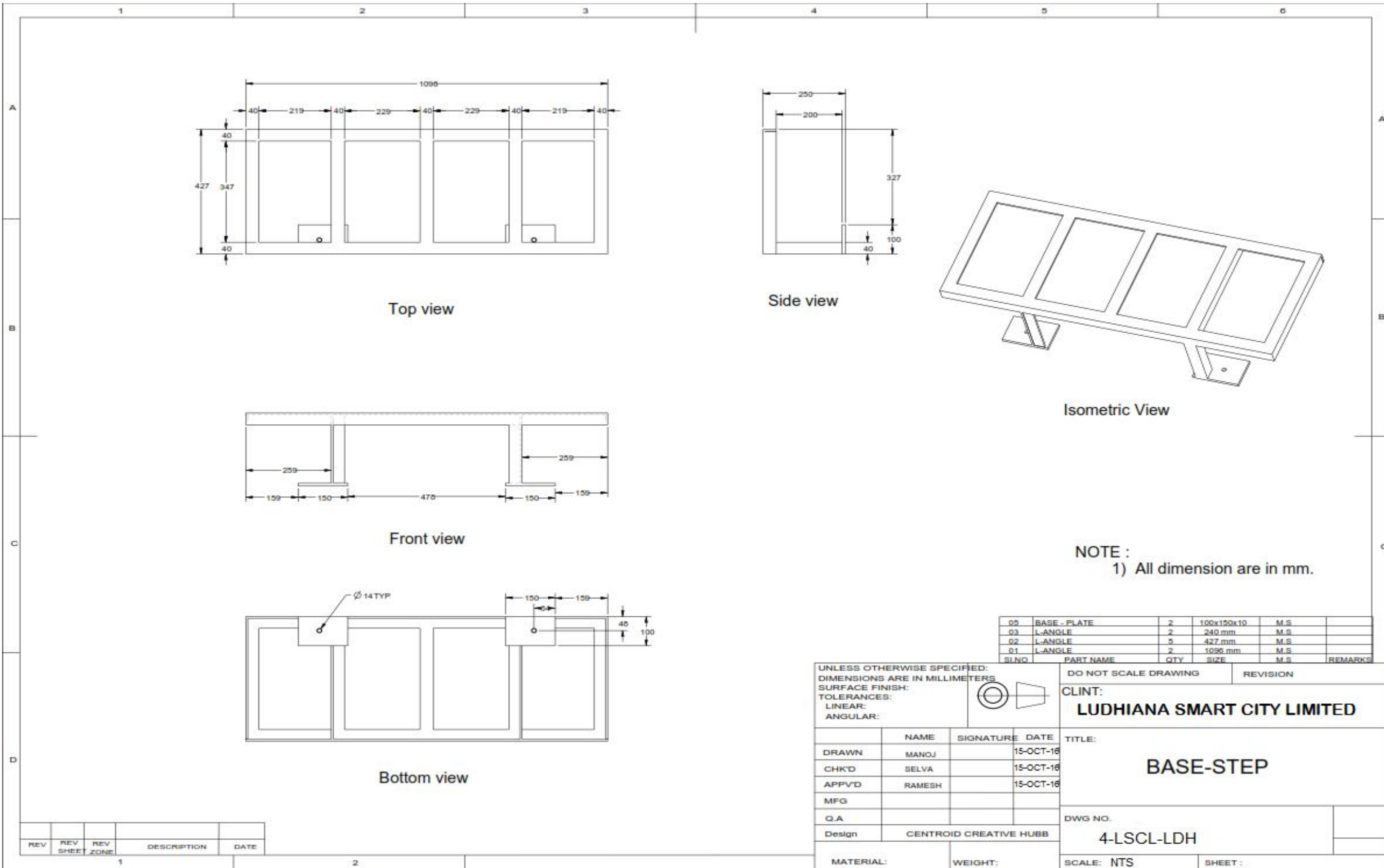
S/NO	PART NAME	QTY	SIZE	MAT-SPEC	REMARKS
05	BASE - PLATE	2	100x150x10	M.S	
04	L-ANGLE	2	364 mm	M.S	
03	L-ANGLE	2	1023 mm	M.S	
02	L-ANGLE	1	576 mm	M.S	
01	L-ANGLE	2	800 mm	M.S	

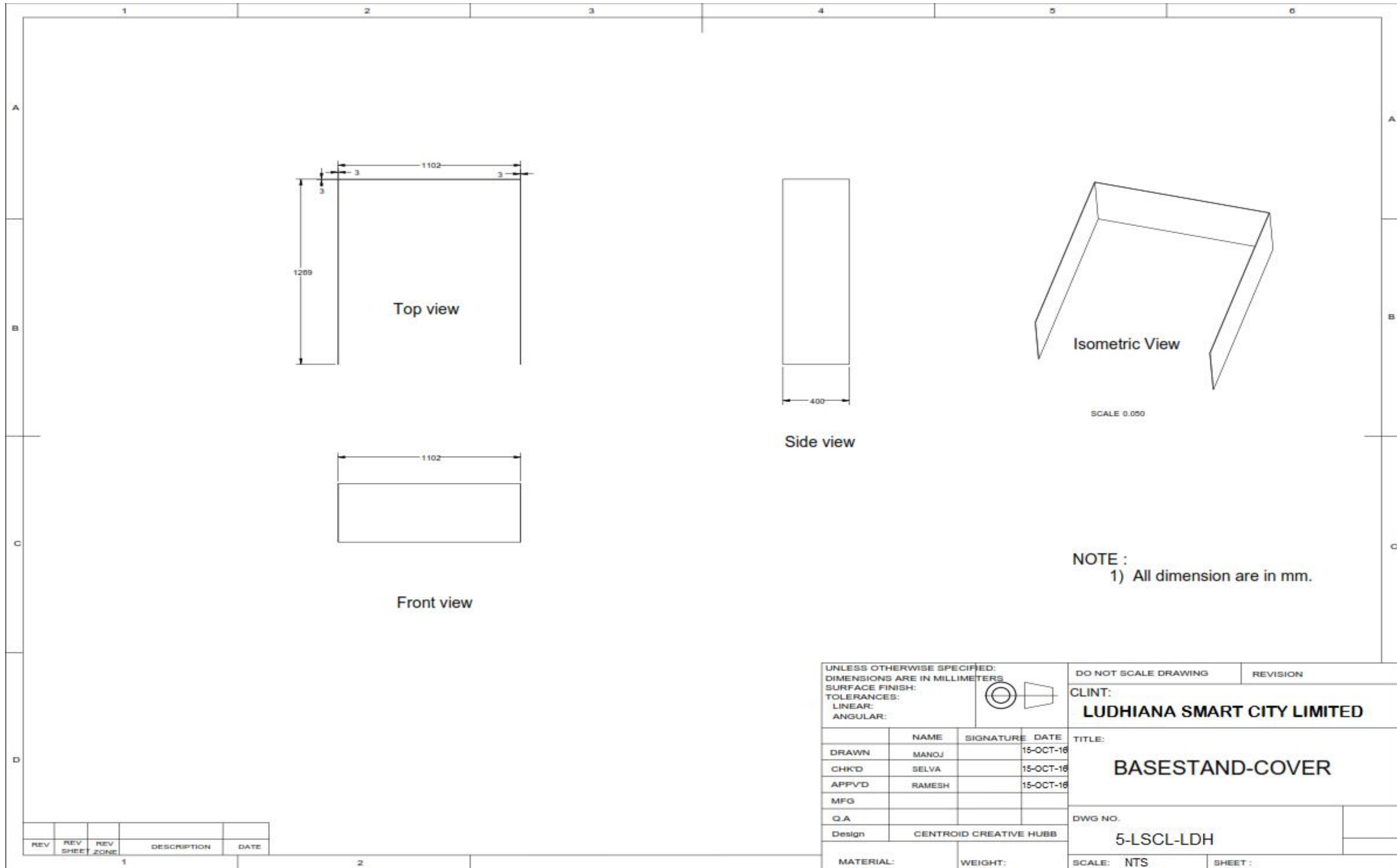
UNLESS OTHERWISE SPECIFIED:
DIMENSIONS ARE IN MILLIMETERS
SURFACE FINISH:
TOLERANCES:
LINEAR:
ANGULAR:

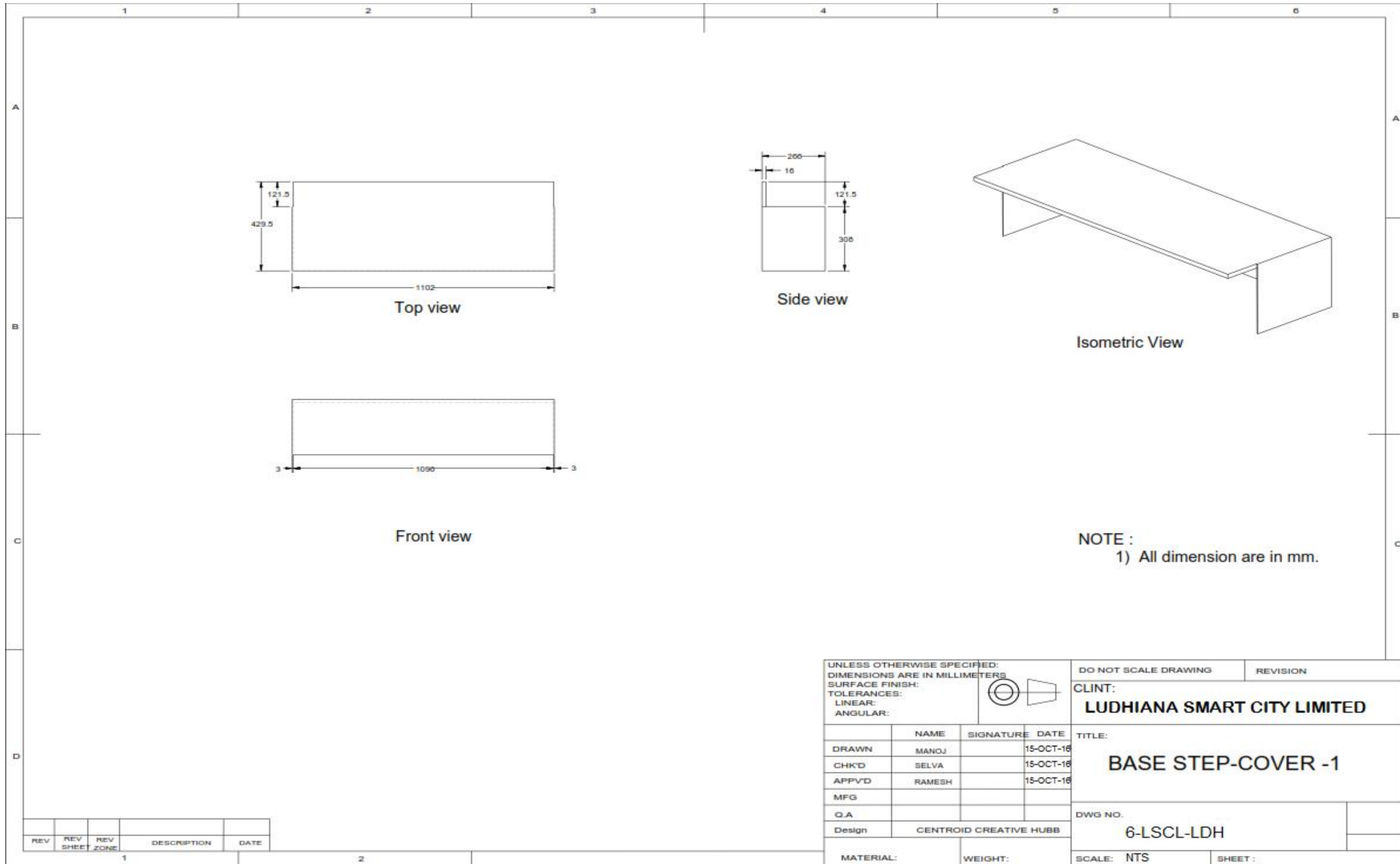
	NAME	SIGNATURE	DATE
DRAWN	MANOJ		15-OCT-16
CHK'D	SELVA		15-OCT-16
APP'VD	RAMESH		15-OCT-16
MFG			
Q.A			
Design	CENTROID CREATIVE HUBB		

DO NOT SCALE DRAWING	REVISION
CLINT: LUDHIANA SMART CITY LIMITED	
TITLE: BASE-STAND	
DWG NO. 3-LSCL-LDH	
MATERIAL:	WEIGHT:
SCALE: NTS	SHEET :

REV	REV SHEET	REV ZONE	DESCRIPTION	DATE
1				

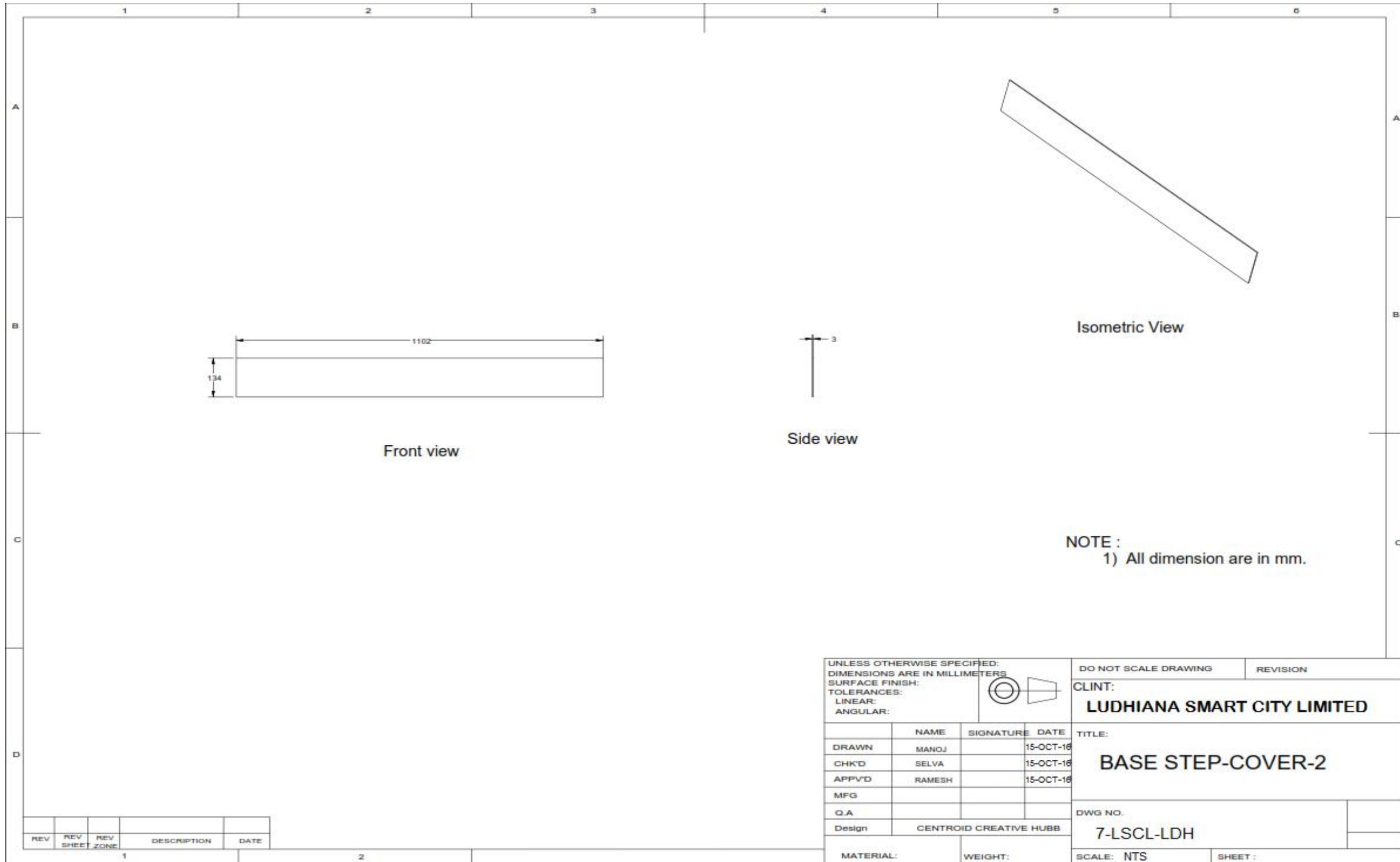






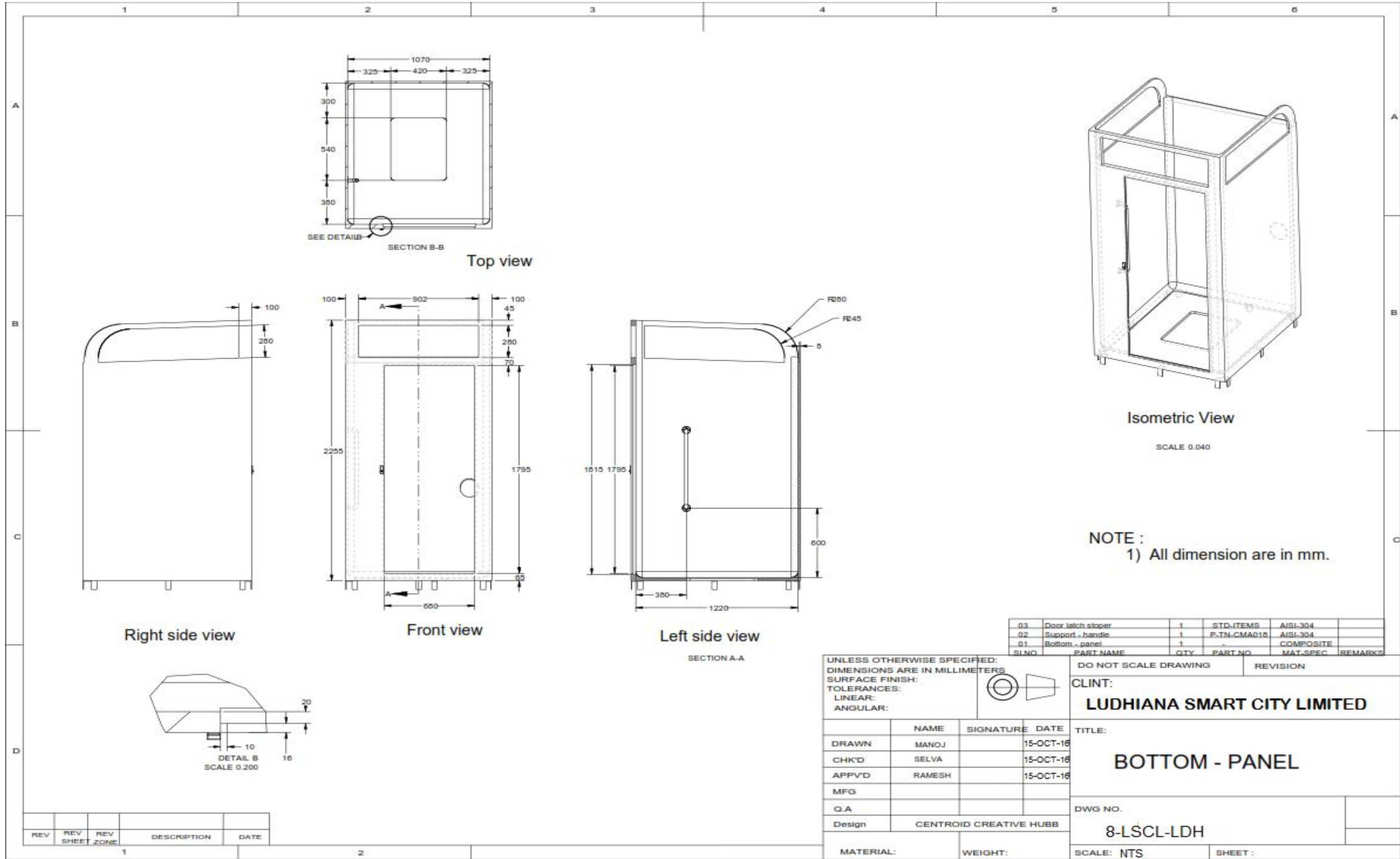
UNLESS OTHERWISE SPECIFIED: DIMENSIONS ARE IN MILLIMETERS				DO NOT SCALE DRAWING		REVISION	
SURFACE FINISH:				CLINT:			
TOLERANCES:				LUDHIANA SMART CITY LIMITED			
LINEAR:				TITLE:			
ANGULAR:				BASE STEP-COVER - 1			
	NAME	SIGNATURE	DATE	DWG NO.			
DRAWN	MANOJ		15-OCT-16	6-LSCL-LDH			
CHKD	SELVA		15-OCT-16	SCALE: NTS			
APPVD	RAMESH		15-OCT-16	SHEET :			
MFG							
Q.A							
Design	CENTROID CREATIVE HUBB						
MATERIAL:	WEIGHT:						

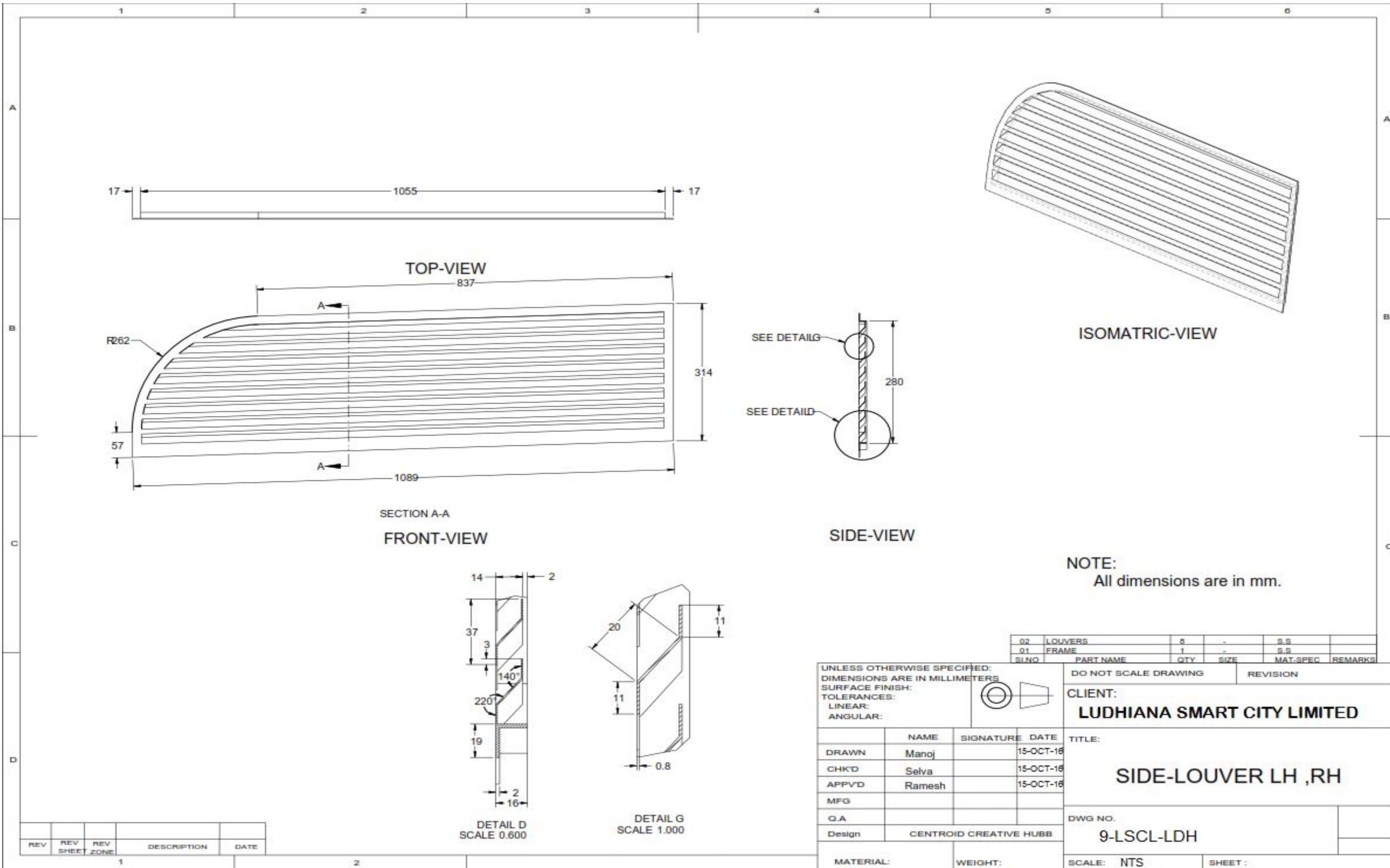
REV	REV SHEET	REV ZONE	DESCRIPTION	DATE
1				
2				

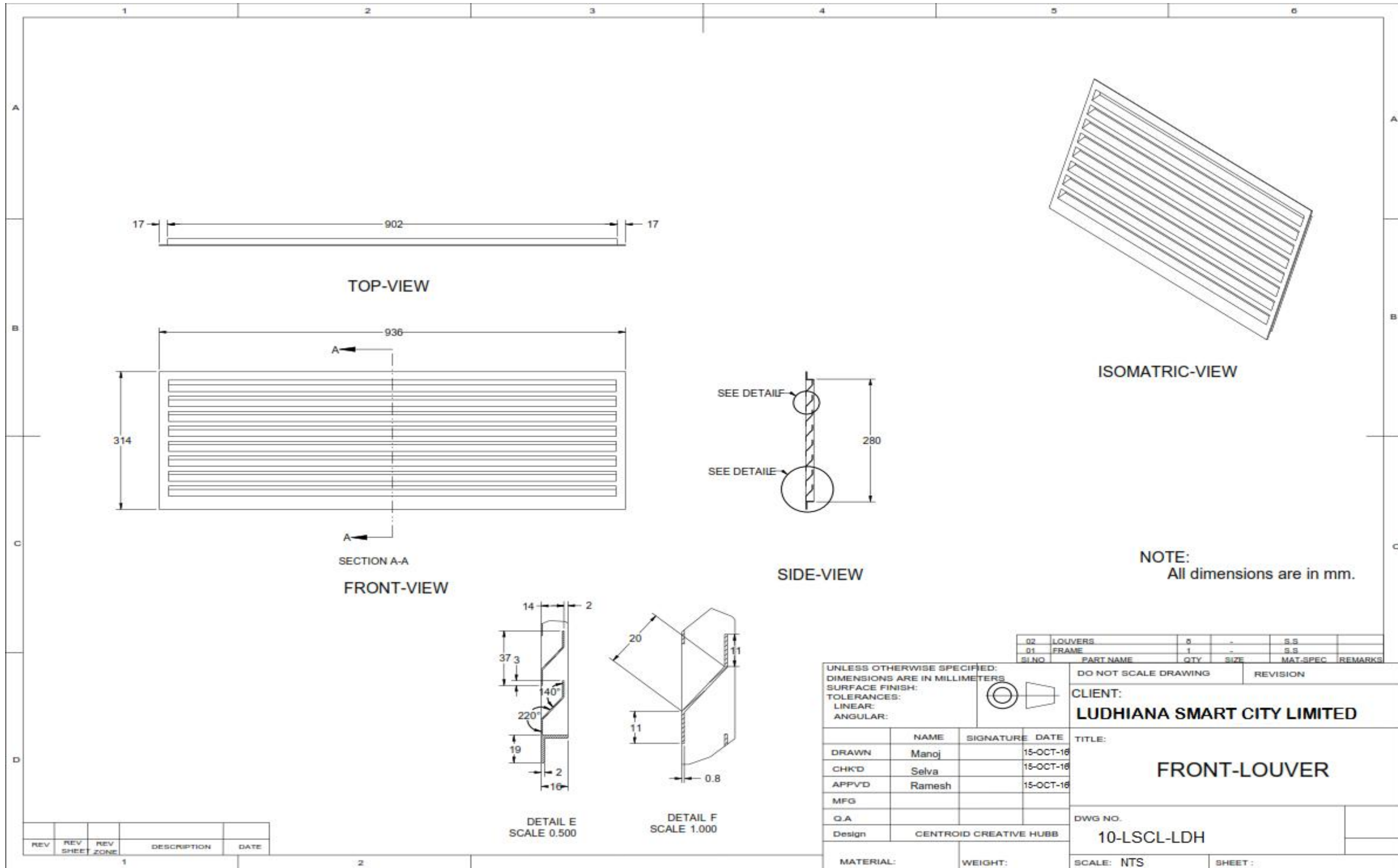


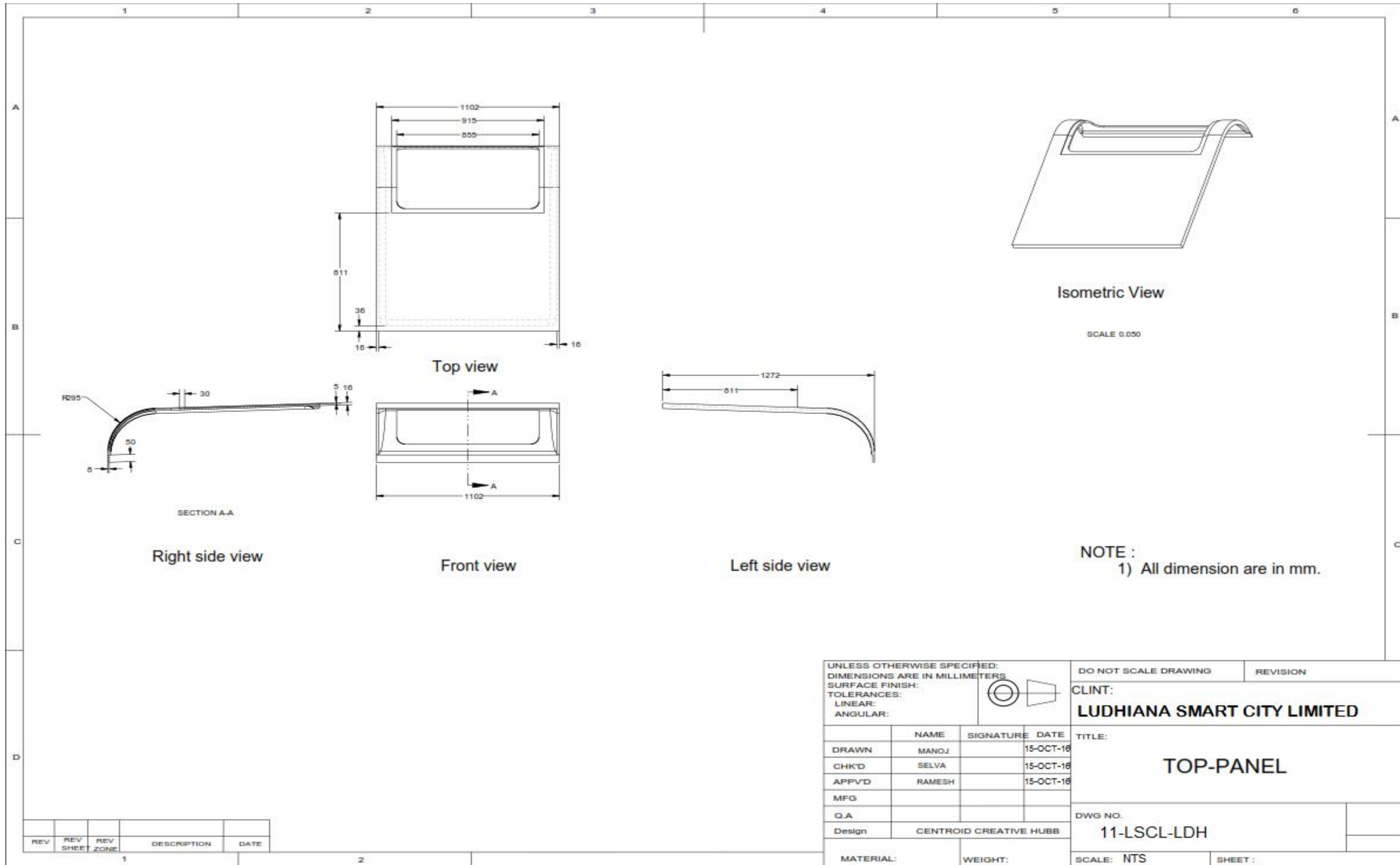
REV	REV SHEET	REV ZONE	DESCRIPTION	DATE
1				
2				

UNLESS OTHERWISE SPECIFIED: DIMENSIONS ARE IN MILLIMETERS				DO NOT SCALE DRAWING		REVISION	
SURFACE FINISH:				CLINT: LUDHIANA SMART CITY LIMITED			
TOLERANCES: LINEAR: ANGULAR:				TITLE: BASE STEP-COVER-2			
	NAME	SIGNATURE	DATE	DWG NO. 7-LSCL-LDH			
DRAWN	MANOJ		15-OCT-18				
CHK'D	SELVA		15-OCT-18				
APPVD	RAMESH		15-OCT-18				
MFG							
Q.A	CENTROID CREATIVE HUBB			SCALE: NTS SHEET :			
MATERIAL:		WEIGHT:					



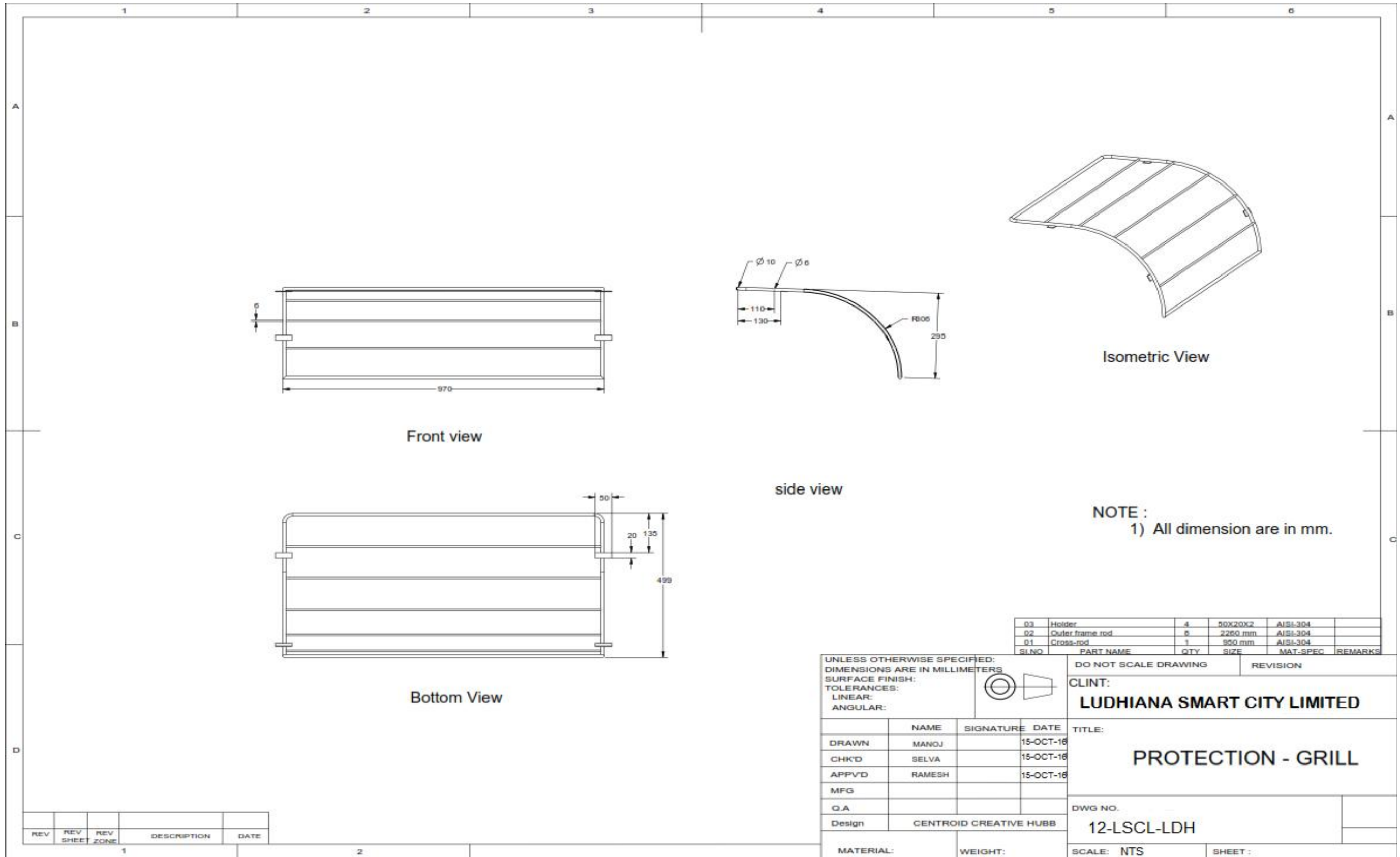


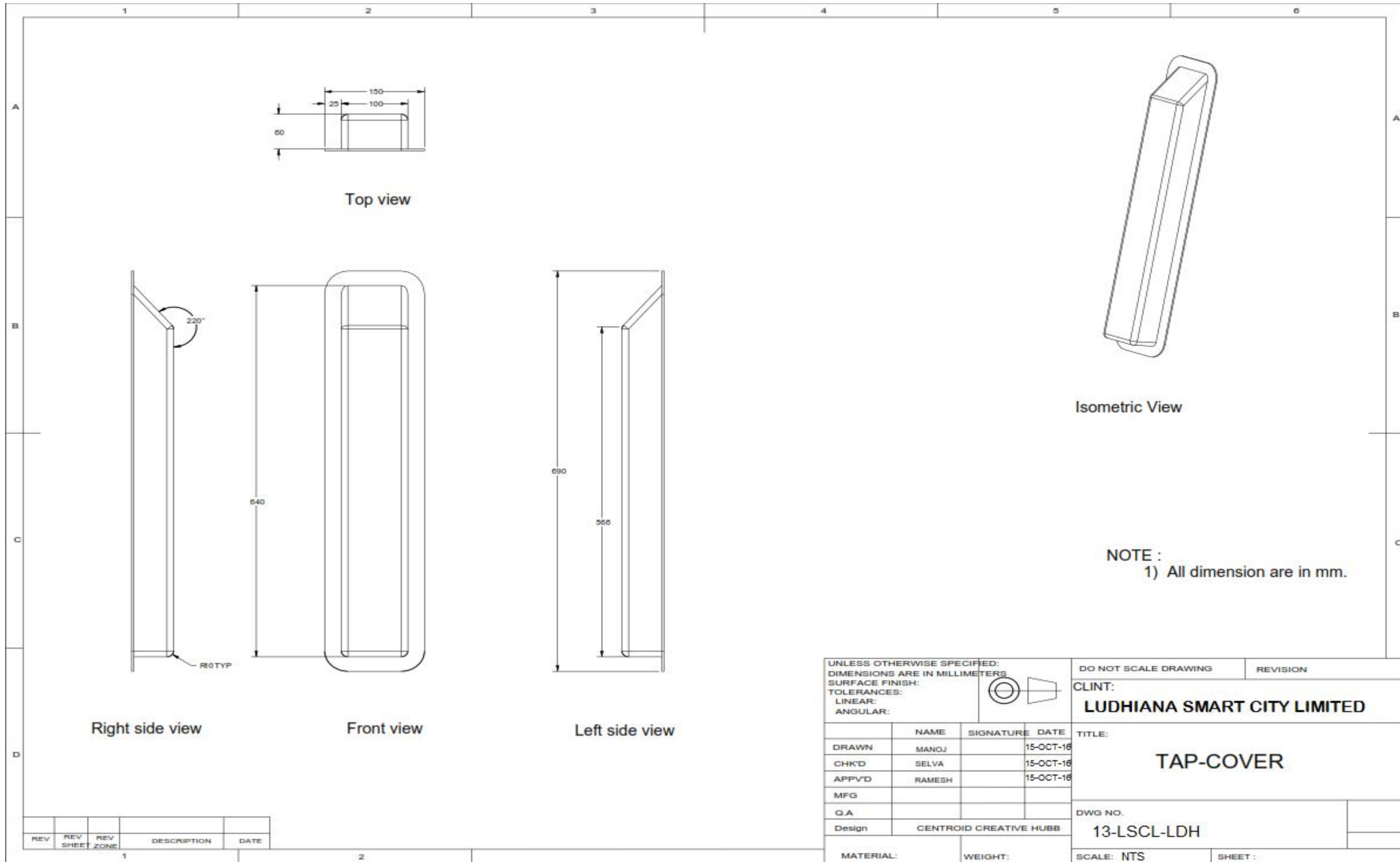


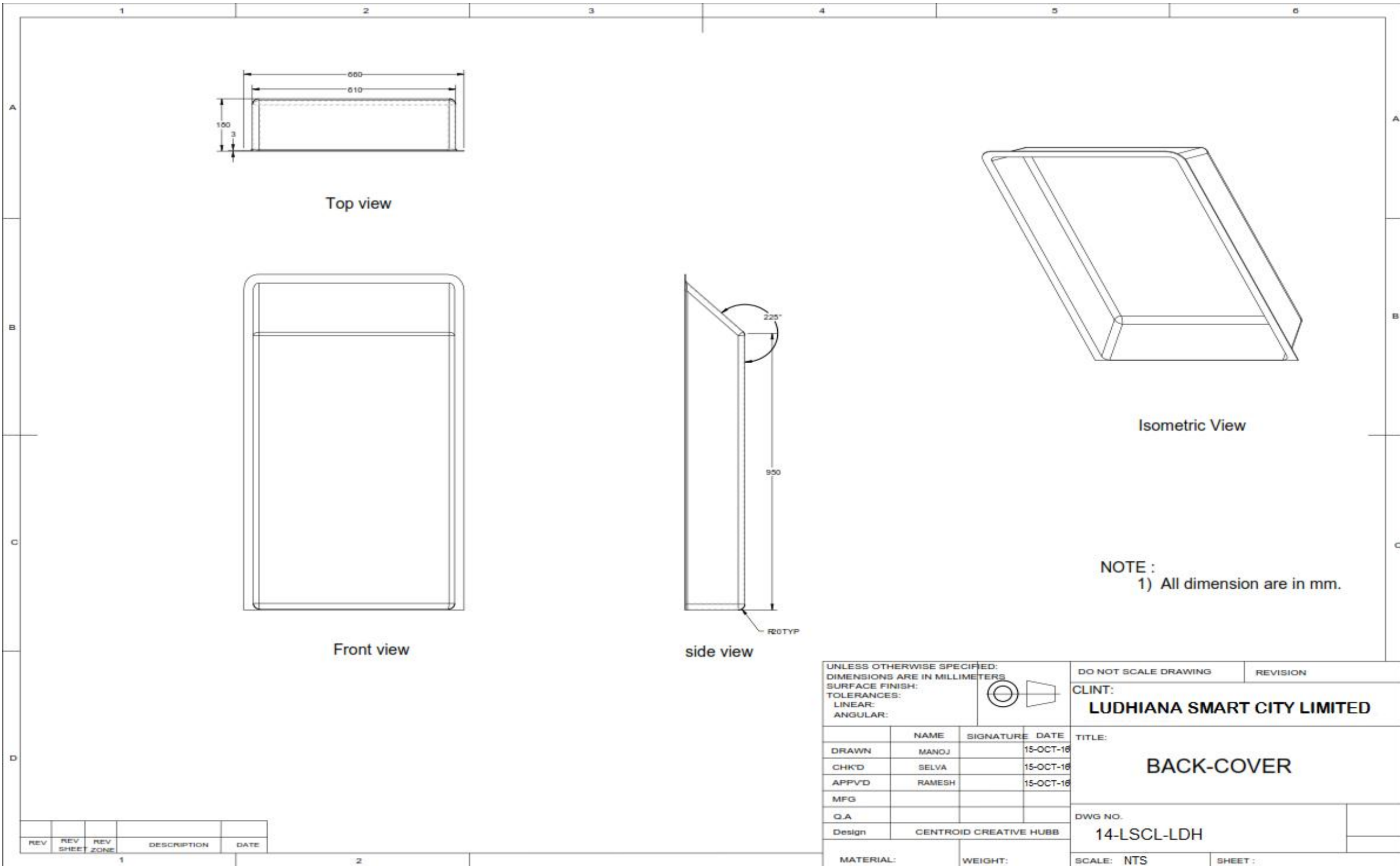


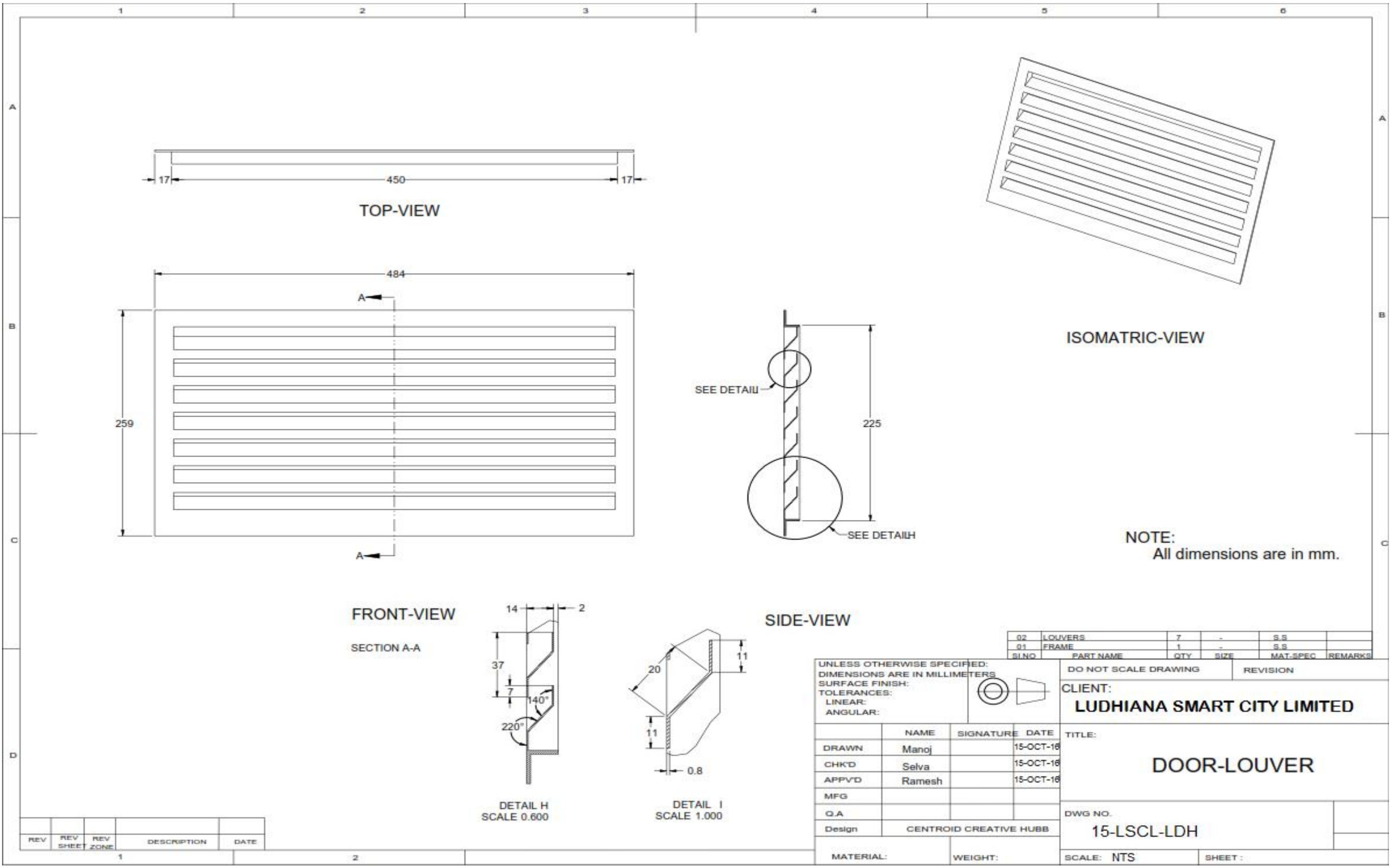
UNLESS OTHERWISE SPECIFIED: DIMENSIONS ARE IN MILLIMETERS				DO NOT SCALE DRAWING		REVISION																											
SURFACE FINISH: TOLERANCES: LINEAR: ANGULAR:						CLINT: LUDHIANA SMART CITY LIMITED																											
<table border="1"> <thead> <tr> <th></th> <th>NAME</th> <th>SIGNATURE</th> <th>DATE</th> </tr> </thead> <tbody> <tr> <td>DRAWN</td> <td>MANOJ</td> <td></td> <td>15-OCT-16</td> </tr> <tr> <td>CHK'D</td> <td>SELVA</td> <td></td> <td>15-OCT-16</td> </tr> <tr> <td>APPVD</td> <td>RAMESH</td> <td></td> <td>15-OCT-16</td> </tr> <tr> <td>MFG</td> <td></td> <td></td> <td></td> </tr> <tr> <td>Q.A</td> <td></td> <td></td> <td></td> </tr> <tr> <td>Design</td> <td colspan="3">CENTROID CREATIVE HUBB</td> </tr> </tbody> </table>							NAME	SIGNATURE	DATE	DRAWN	MANOJ		15-OCT-16	CHK'D	SELVA		15-OCT-16	APPVD	RAMESH		15-OCT-16	MFG				Q.A				Design	CENTROID CREATIVE HUBB		
	NAME	SIGNATURE	DATE																														
DRAWN	MANOJ		15-OCT-16																														
CHK'D	SELVA		15-OCT-16																														
APPVD	RAMESH		15-OCT-16																														
MFG																																	
Q.A																																	
Design	CENTROID CREATIVE HUBB																																
				DWG NO. 11-LSCL-LDH																													
MATERIAL:				WEIGHT:		SCALE: NTS SHEET :																											

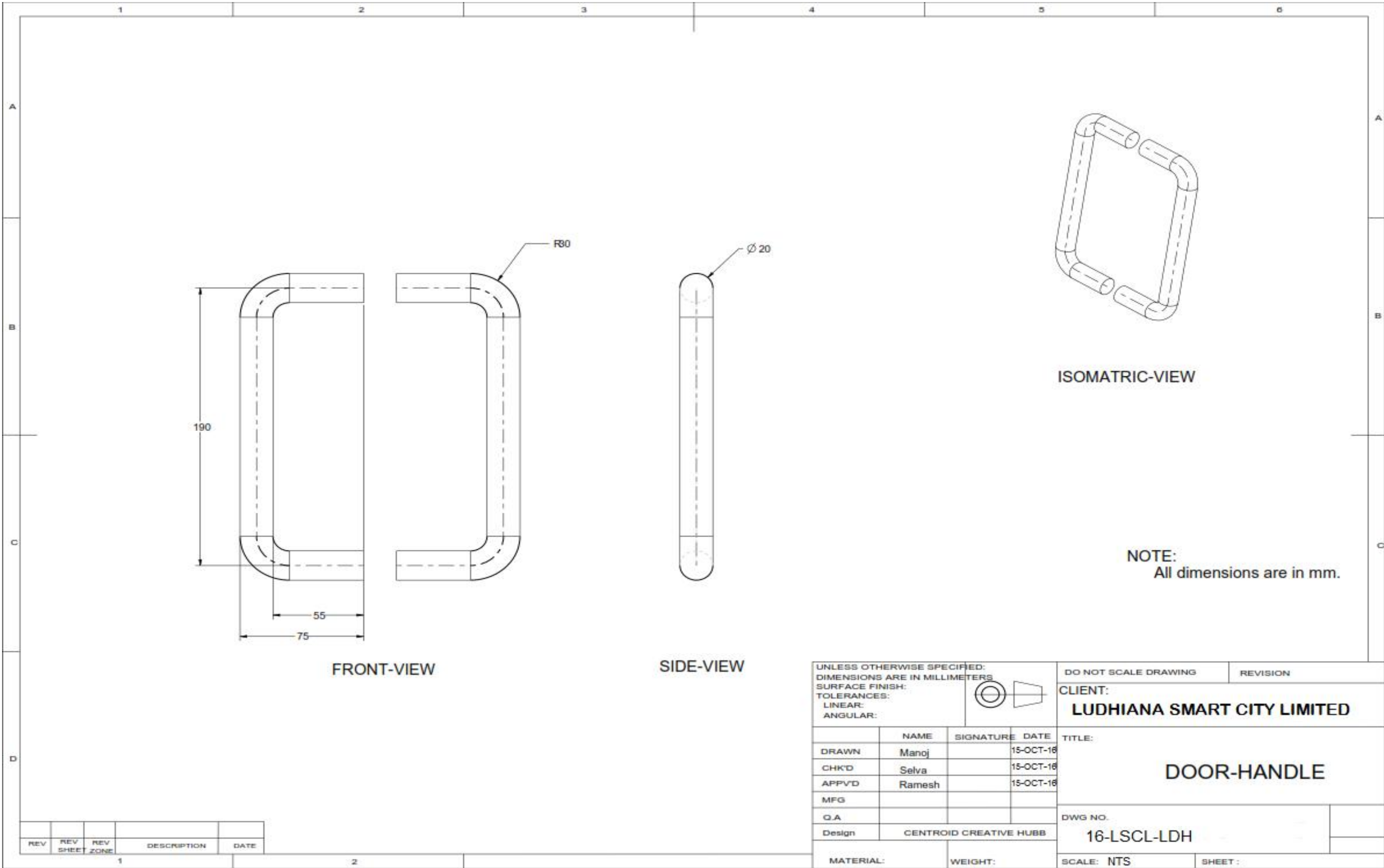
REV	REV SHEET	REV ZONE	DESCRIPTION	DATE
1				

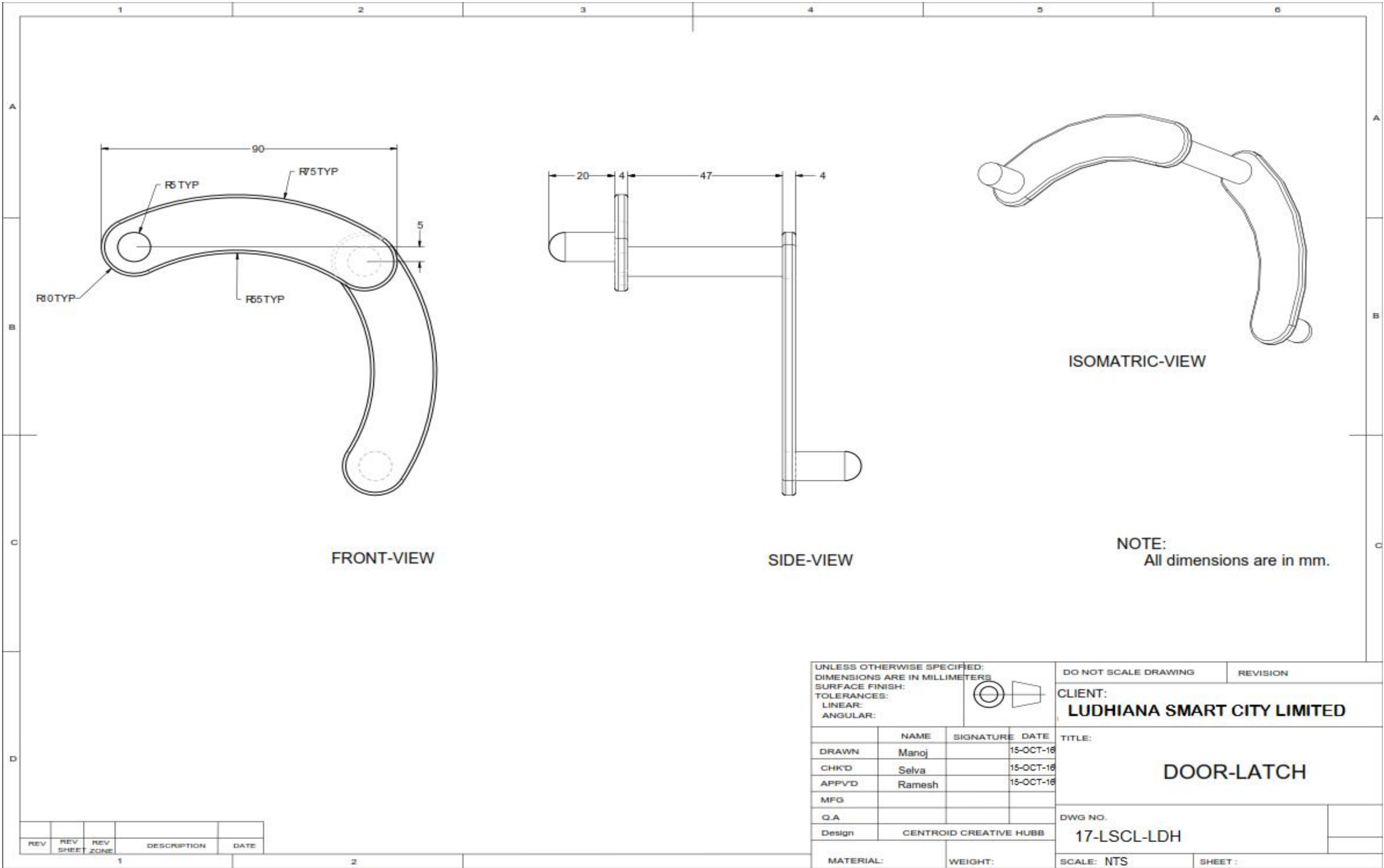


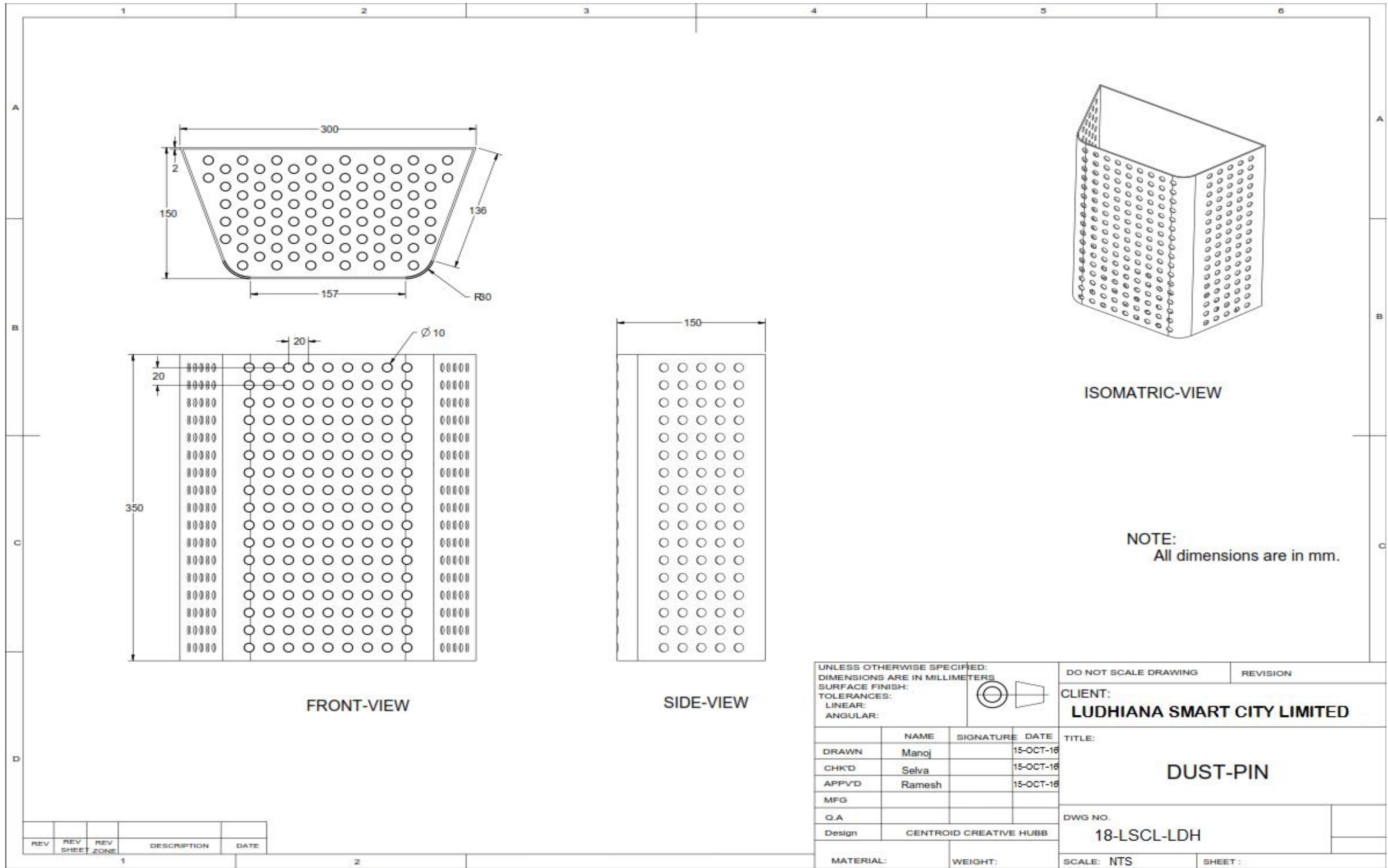


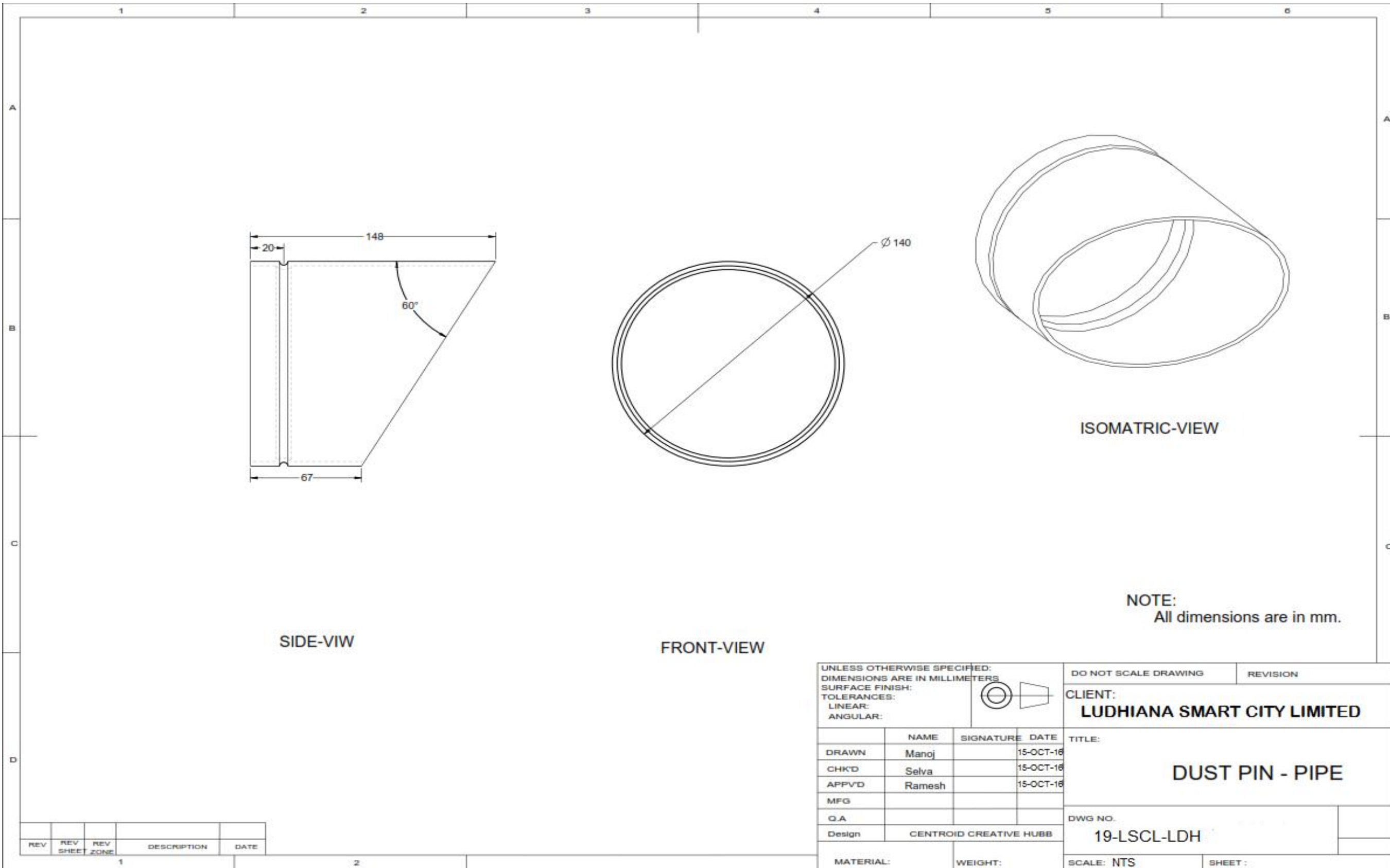


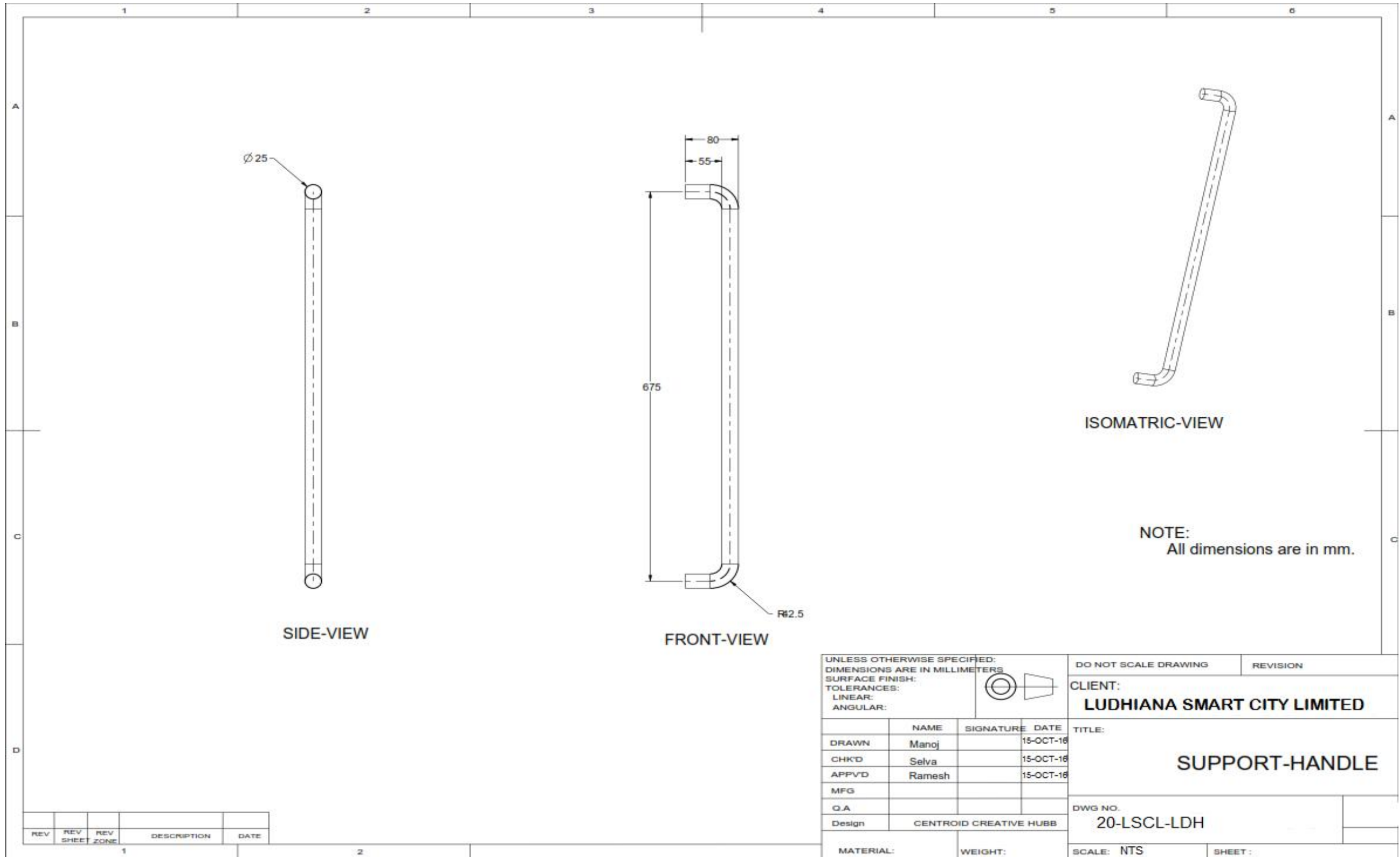












ISOMETRIC-VIEW

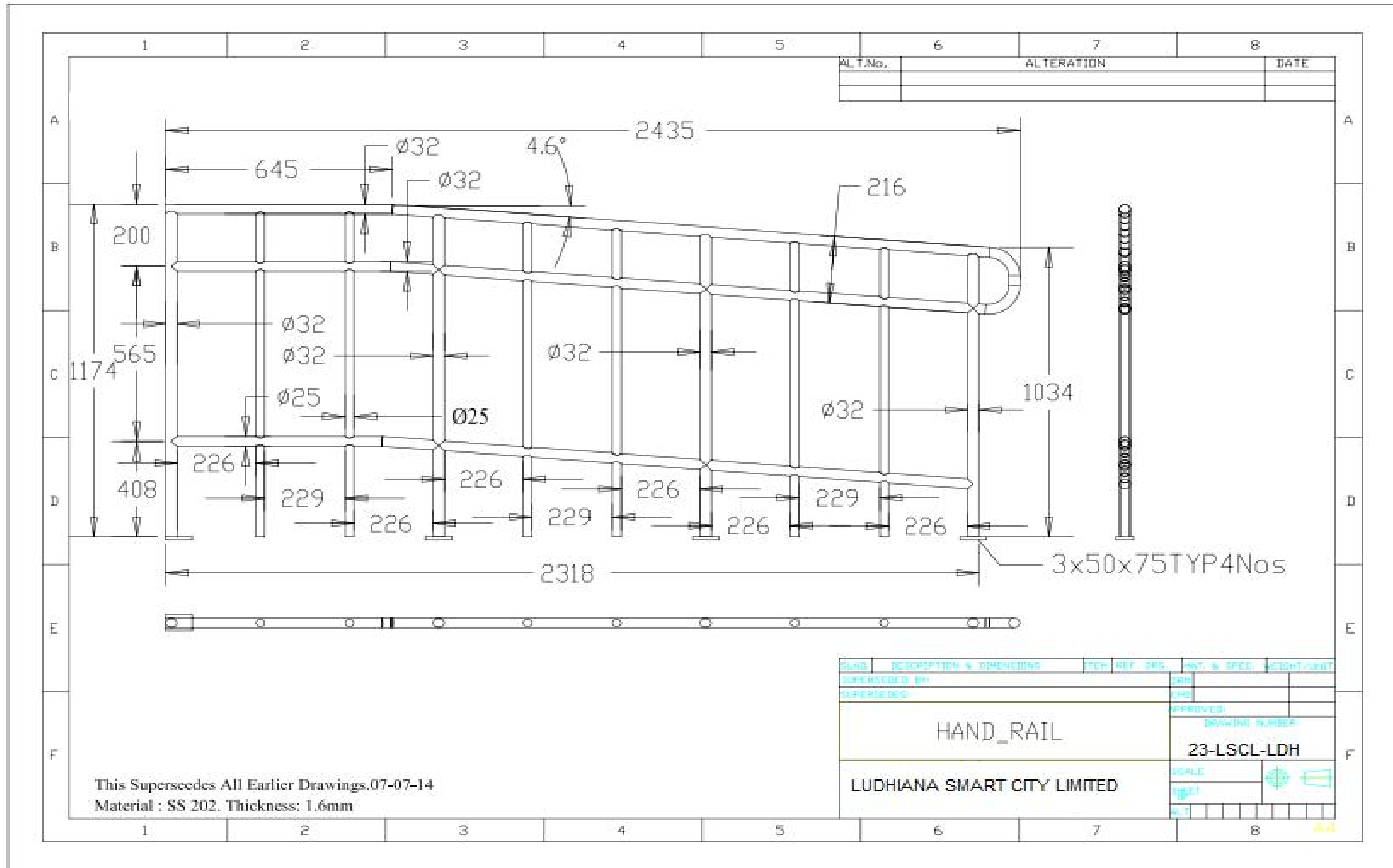
NOTE:
All dimensions are in mm.

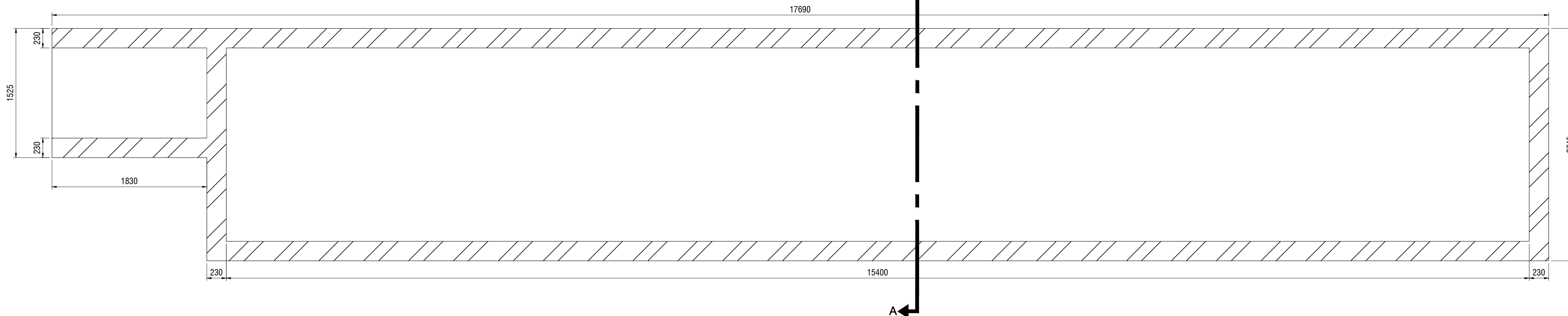
SIDE-VIEW

FRONT-VIEW

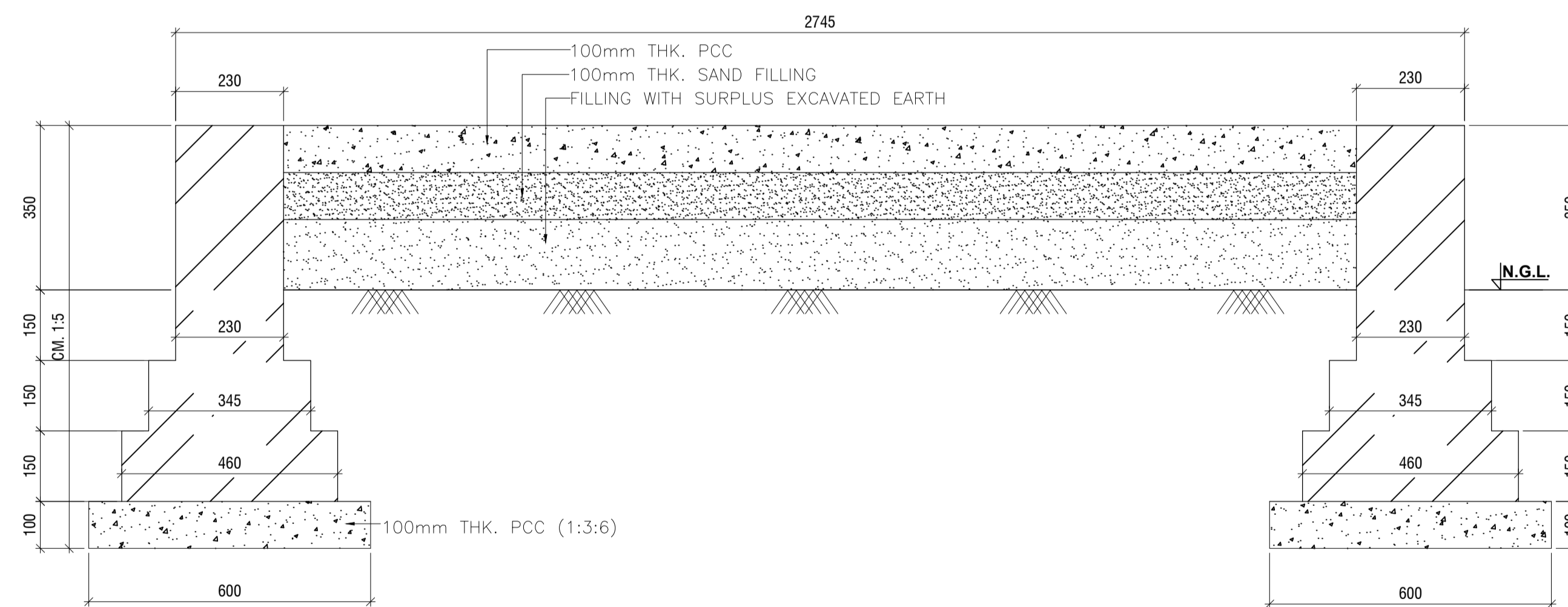
UNLESS OTHERWISE SPECIFIED: DIMENSIONS ARE IN MILLIMETERS				DO NOT SCALE DRAWING		REVISION	
SURFACE FINISH:						CLIENT: LUDHIANA SMART CITY LIMITED	
TOLERANCES: LINEAR: ANGULAR:						TITLE: SUPPORT-HANDLE	
DRAWN	NAME	SIGNATURE	DATE	DWG NO. 20-LSCL-LDH SCALE: NTS SHEET :			
CHK'D	Selva		15-OCT-16				
APPVD	Ramesh		15-OCT-16				
MFG							
Q.A							
Design		CENTROID CREATIVE HUBB					
MATERIAL:		WEIGHT:					

REV	REV SHEET	REV ZONE	DESCRIPTION	DATE
1				
2				

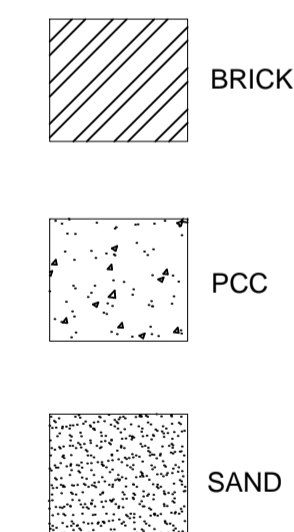




SECTION A-A
SCALE 1:30



SECTION A-A
SCALE 1:10



NOTES:-

1. ALL DIMENSIONS ARE IN mm UNLESS OTHERWISE SPECIFIED.
2. P.C.C IN FOUNDATION (1:3:6)
3. BRICK WORK IN FOUNDATION (1:5)

TENDER DRAWING

REV.	DATE	DESCRIPTION	SIGN.
0	05.03.17	FOR TENDER ONLY	

CLIENT :-
LUDHIANA SMART CITY LIMITED

CONSULTANTS:-
AECOM INDIA Pvt.Ltd.
9th Floor, Infinity Tower C DLF Cyber City, DLF Phase II
Gurgaon 122002 Haryana, India

PROJECT TITLE :-
PROPOSED PUBLIC TOILETS (PER-FABRICATED MODULAR) IN LUDHIANA CITY UNDER SMART CITY MISSION

PROJECT NO.
DELD16074

DRAWING TITLE
PUBLIC TOILETS (PER-FABRICATED MODULAR) FOUNDATION PLAN

DRAWING NUMBER
.....
REV
0

DES. BY	DES. BY	SHEET NO.	1 OF 1
DRN. BY	LC	SHEET SIZE	A1
CHKD. BY	CHKD. BY	SCALE	AS NOTED
APPD. BY	APPD. BY	DIMENSION	MILLIMETER