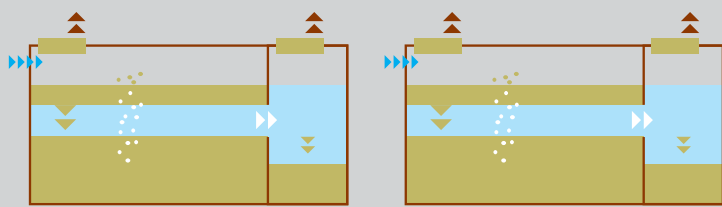
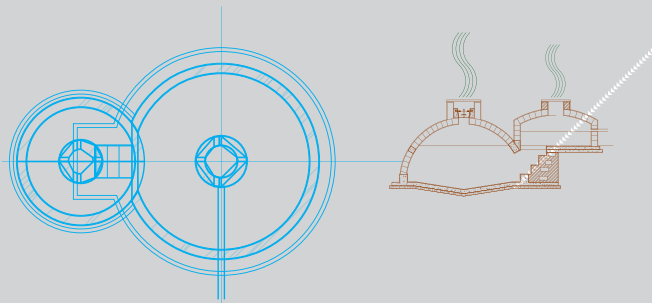
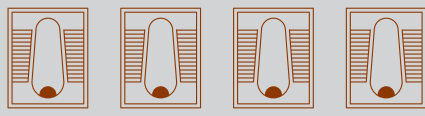
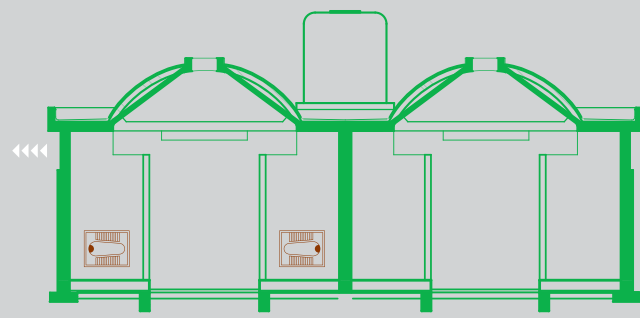
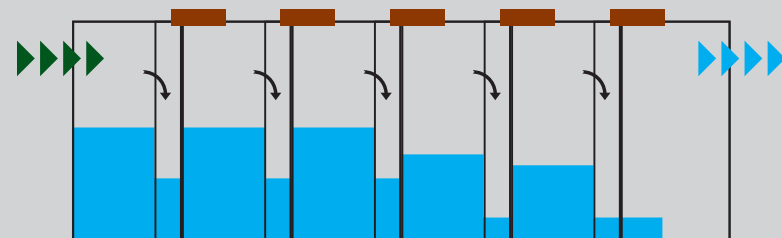


DECENTRALISED WASTEWATER TREATMENT SYSTEMS (DEWATS™)



DEWATS™ Training is a platform for engineers engaged in the sanitation and waste management sector to gain practical skills and knowledge for planning, designing, implementing, operating and maintaining DEWATS™.



International Engineers' Training on DEWATS™

September 19-23, 2016



Organised by



Consortium for
DEWATS
Dissemination
Society

Supported by



BACKGROUND

Urbanisation is one of the most important demographic trends of this century. The rapid growth of cities has created a shortfall in the supply of infrastructure and services leading to a deteriorating environment. Today an estimated two billion people in the world do not have access to 'adequate' sanitation facilities.

Indian cities generate 33,212 million litre of sewage per day (MLD) but can treat only 6,190! The disposal of such huge volume of untreated domestic sewage from cities and towns is the biggest source of water pollution and environmental contamination in India.

Most Indian cities try to handle the infrastructure demands through centralised systems, which not only require high capital expenditures but also cause high operation and maintenance (O&M) costs. The existing centralised systems are not able to serve the increasing demand. As a complementary option to the centralised approach, the introduction of a decentralised waste management system can be an effective solution to tackle pollution in urban areas. Moreover, decentralisation helps to increase community participation in the decision making process, implementation and maintenance.

In this context, there is an increasing need for scaling up decentralised approaches for adequate basic needs services. Decentralised wastewater treatment systems have an enormous potential in contributing to the development of sustainable environmental sanitation. The Consortium for DEWATS™ Dissemination (CDD) Society aims to address the need for decentralised solutions by enhancing the capacities of service providers across the country.

VENUE

CASS

CENTRE FOR ADVANCED
SANITATION SOLUTIONS

Kengeri, Bengaluru



Decentralised Wastewater Treatment Systems (DEWATS™)

DEWATS™ is an approach for the treatment of wastewater generated from domestic and industrial processes. It is based on different natural water treatment techniques comprising of some basic treatment modules.

These modules are combined according to individual requirements which depend on the

- Characteristics of the wastewater to be treated
- Desired quality of the treated wastewater
- Technical specificities

DEWATS™ units can be designed for the treatment of wastewater flow ranging from 1 to 1,000 m³ per day.

DEWATS™ has certain advantages compared to centralised systems:

- Easily workable and simple
- On-site treatment modules require minimal operation and maintenance
- No mechanical parts
- Less sewerage network
- Cost savings

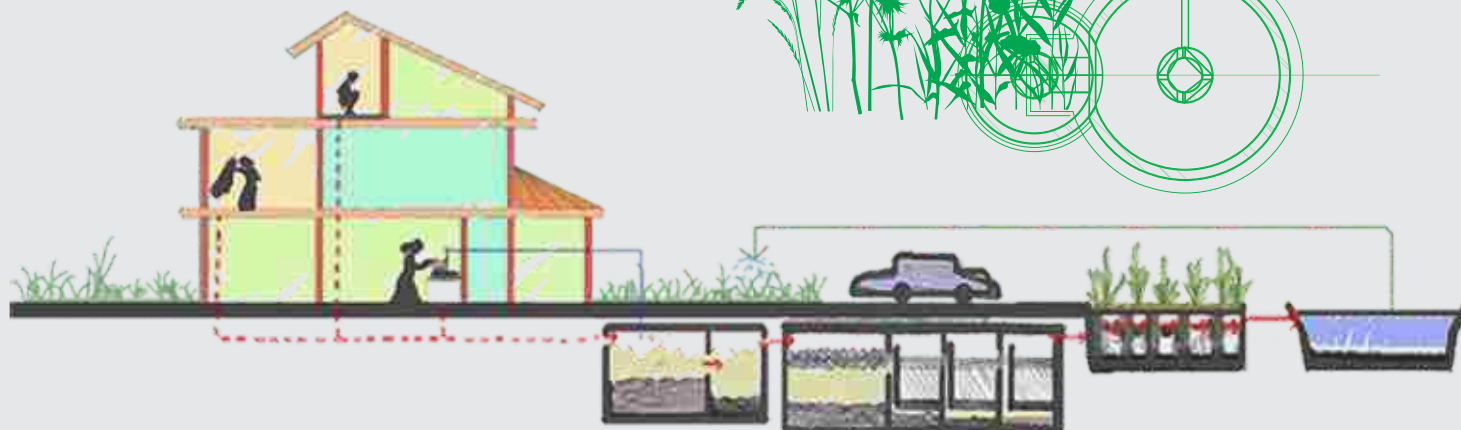
Venue

The training course will be conducted at Centre for Advanced Sanitation Solutions (CASS), located in Kengeri, Bengaluru.

CASS has been jointly established by CDD Society, BORDA and RGRHCL, Karnataka.

Course Outline

- Introduction to wastewater and its effective management
- Different approaches and technologies for wastewater treatment
- Introduction to Decentralised Wastewater Treatment Systems (DEWATS™)
- Feasibility and initial project planning
- Preliminary planning and design of DEWATS™
- Implementation of DEWATS™
- Operation and maintenance



NOTE: The brochure and application form can be downloaded from www.cddindia.org and www.borda-sa.org

Training Objective

The objective of this training programme is to introduce and impart engineering skills to professionals for designing and implementing DEWATS™.

Programme Overview

The course duration is 5 days and it is scheduled from the September 19-23, 2016. On each of the training days, the sessions are timed from 09:30 a.m to 06:00 p.m. Various methods are involved, e.g.

- Lectures and presentations
- Case studies and practical workshops
- Study tours and field visits

Participants

The participants should have a minimum of **1 - 2 years of prior work experience** in the water, sanitation and/or waste management sector. English language skills are required as that will be the medium of instruction and teaching.

Potential participants for this training course are from government and private organisations:

- Engineers (sanitary, environmental, etc.)
- Wastewater management practitioners
- Architects
- Other professionals with a background in related sectors such as water resource management, infrastructure, etc.

Attendee Benefits

The participants will be awarded a certificate on satisfactory completion of the programme. Also each participant will be linked with CDD/ BORDA's International Engineers' network which provides them with access to regular knowledge and skill up gradation. Furthermore, CDD will support the design of the first DEWATS™ project, if required.

Registration

The programme is designed for a **maximum of 20 participants**. The registration form should be filled in all respects and returned to the contact address given below by August 30, 2016.

As the seats are limited, CDD will screen and select the most eligible applicants.

Travel & Insurance

- All expenses towards the onward and return travel to and from Bengaluru are borne by the participants (or their organisations) individually
- All daily local travels during the programme will be provided by CDD Society
- The organisers and sponsorer are not responsible for any risk of illness, accidents, loss of money, property, etc. incurred by the participants
- The participants are strongly advised to insure themselves against such mentioned risks

Programme Fee

The training programme is fully residential. The course fee is ₹ 15,000 (Rupees Fifteen Thousand only) for Indian residents and 325€ (Three Hundred and Twenty Five Euros only) for International participants, which includes boarding and lodging, a training kit and all training materials.

The selected participants need to send DD/Cheque for the above amount in favour of CDD Society, payable at Bengaluru to the address given below.



Consortium for
DEWATS
Dissemination
Society



BORDA



RGRHCL

Consortium for DEWATS Dissemination (CDD) Society is a not-for-profit organisation comprising of like-minded network partners seeking to promote the provision of basic needs services in urban and rural environment through the promotion of decentralised solutions in

- Community Based Sanitation (CBS)
- Wastewater Treatment Systems (DEWATS™)
- Solid Waste Management (DESWAM)
- Citywide DBNS Planning (CSP)
- Faecal Sludge Management (FSM)

Bremen Overseas Research & Development Association (BORDA) is a German non-profit organisation with headquarters in Bremen.

Since 1979, BORDA has been working in India with local partners to implement and disseminate sustainable solutions to the related problems of poverty and environmental degradation.

Through the integration of appropriate eco-friendly technology into a holistic framework, including technical, social, economic and environmental components, BORDA facilitates the provision of basic needs services to urban, peri-urban and rural populations, also facilitates technical support to small and medium sized enterprises, institutions, settlements and communities.

Rajiv Gandhi Rural Housing Corporation Limited (RGRHCL) is a Government of Karnataka Public Ltd. Company. It has set up diverse housing infrastructures across the State of Karnataka.

RGRHCL is experienced in the construction, coordination and facilitation of housing provision for the Economically Weaker Sections (EWS) of society under various State Government schemes.

Photo Courtesy: CDD Archives | www.delightdesign.in

For any enquiries contact:

Consortium for DEWATS Dissemination (CDD) Society

Survey #205 (Opp. Beedi Workers Colony)

Kommaghatta Road, Bandemath, Kengeri Satellite Town, Bengaluru - 560 060

Tel/Fax: +91 - 80 - 28486700/2144 Website: www.cddindia.org

Email: capacitybuilding@cddindia.org

